

Please read carefully: Read through these instructions completely before commencing installation. Retain for future use. This product should be installed by a licensed electrical contractor or similarly qualified person.

Operation

- Turn the knob clockwise to increase brightness.
- Turn the knob anticlockwise to decrease brightness.
- **Over-temperature protection:** If the dimmer gets too hot (due to overloading or insufficient de-rating), the lamp brightness is automatically reduced. After the dimmer cools down, normal operation is automatically resumed. Be sure to correct the cause of the high temperature.

Technical Characteristics

- Nominal Input Voltage: 230-240 V a.c. 50 Hz
- Operating Temperature: 0°C to 50°C
- Terminal Capacity: 2 x 1.5 mm²

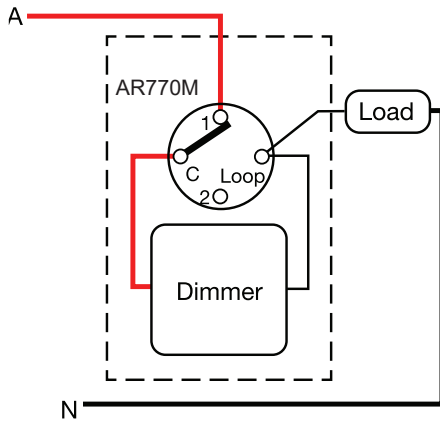
Load Type		Minimum Load	Maximum Load
			AR400TM
Dimmable LED Lamps	<ul style="list-style-type: none"> ● DLI70 Downlights 	1 Lamp	16 Lamps
	<ul style="list-style-type: none"> ● AZA+, DLI90, DLI110, DLI125 & DLI150 Downlights ● R80 Dimmable Globe 	1 Lamp	12 Lamps
	<ul style="list-style-type: none"> ● DLS, Dalia, Azalea & Freesia Downlights ● Luna Panel Lights ● Calla Step Lights ● Zinnia Starlights 	1 Lamp	8 Lamps
	<ul style="list-style-type: none"> ● All other models (See Note1) 	1 Lamp	8 Lamps or 400VA (whichever is smaller)
<ul style="list-style-type: none"> ● Incandescent Lamps ● Halogen Lamps ● Electronic Transformers 		10VA	400VA
<ul style="list-style-type: none"> ● Fluorescent Lamps ● Wirewound Transformers ● Fan Motors 		Not suitable	

Notes:

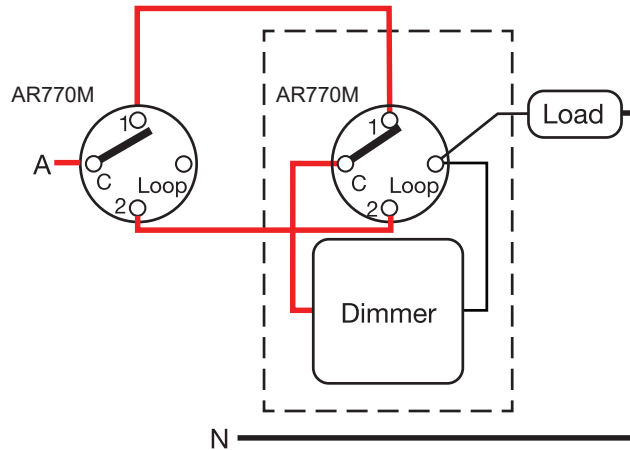
1. Not compatible with all dimmable LEDs. Bench test prior to installation. Dimming range may be reduced with some models.
2. When multiple dimmers are installed on the same switch plate, each dimmer must be de-rated by 10% for each additional dimmer.
3. When used in ambient temperatures greater than 25°C, the dimmer must be de-rated by 10% for every increase of 5°C.

WARNING - DO NOT MEGGER THIS PRODUCT

Wiring

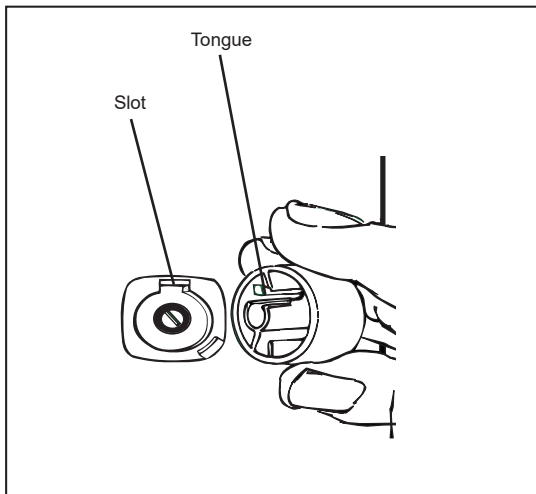


One-way wiring diagram



Two-way wiring diagram

Setting Minimum Brightness



- The minimum brightness can be set before the knob is put into place.
- When the unit is wired and mounted as required, switch on the power.
- Turn the potentiometer carefully by hand until the desired minimum brightness is obtained.
- Insert the knob so that the "tongue" on the knob lines up with the slot on the dimmer.
- Once inserted, the knob cannot be turned any further anticlockwise.

Important Information

- This product must be installed and used as per these instructions.
- This product must be installed by a licensed electrician or similarly qualified person.
- V90-rated building wire must be used when wiring this product.
- This product must only be used with the loads specified. Other load types should only be used when written confirmation is given by Legrand.
- This product has been designed to filter out interference from off-peak electricity signalling. The level of such signalling will vary from installation to installation and interference is still possible in rare cases.
- Severe electromagnetic interference from other products may cause malfunction of this product.
- This product should only be cleaned with a damp cloth. Cleaning agents and solvents should not be used.
- This product contains no serviceable parts and no attempt should be made to repair this product. If the product is faulty it should be discarded.
- Legrand reserves the right to modify the specifications of this product at any time.

Warranty

Legrand Australia Pty Ltd will honour all statutory guarantees that you as a consumer are entitled to rely upon under the Australian and New Zealand Consumer Laws against a manufacturer, including a guarantee that this product is of acceptable quality.

To make a claim under any statutory guarantee you should first contact the supplier, or retailer from whom you purchased this product.

Customer Service

For all Customer Service and Technical Support please call Monday to Friday during business hours.

Legrand Australia
1300 369 777
www.hpm.com.au
ABN: 31 000 102 661

Legrand New Zealand
0800 476 009
www.hpm.co.nz

